

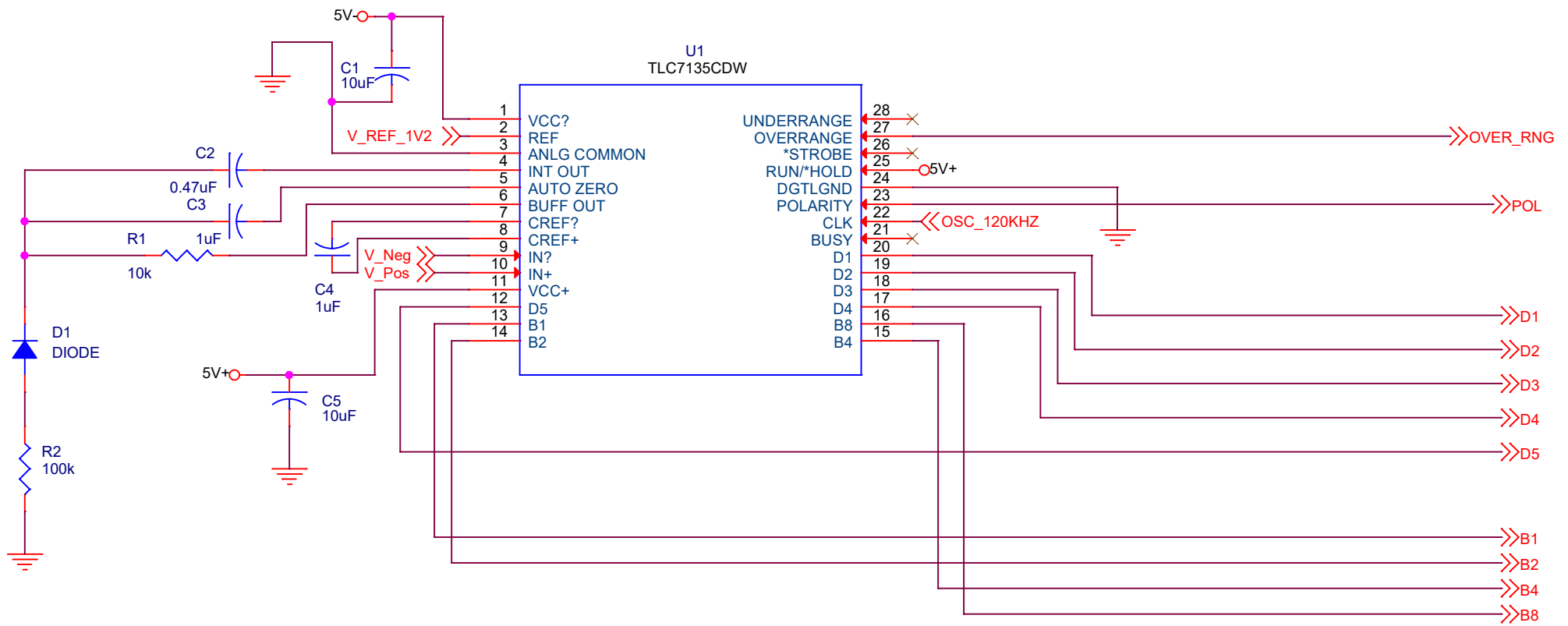
DIGITAL VOLTMETER

TABLE OF CONTENTS

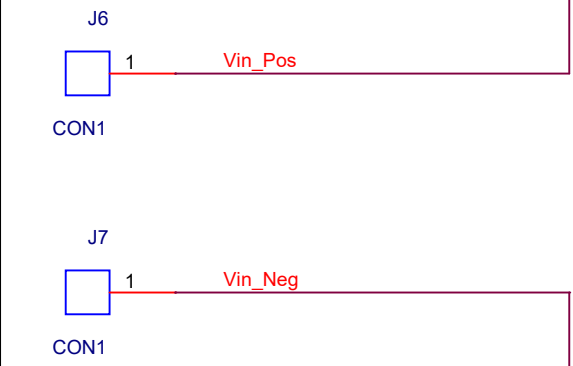
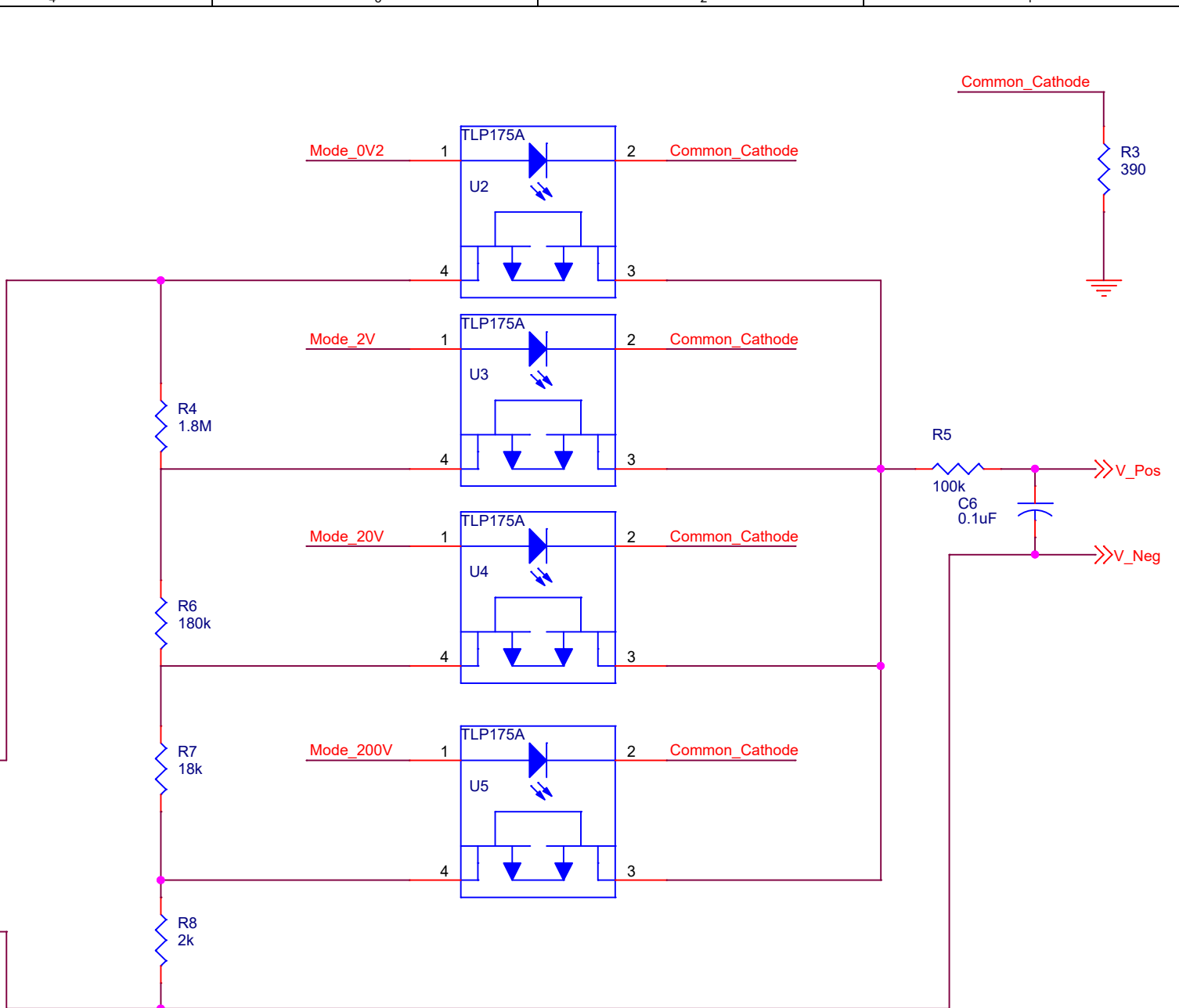
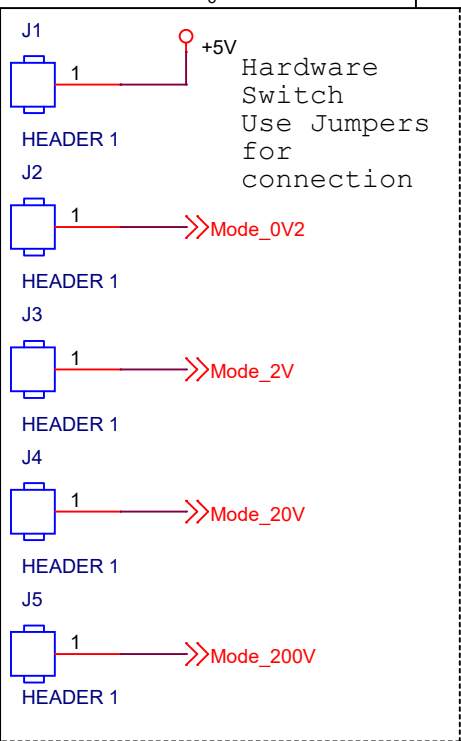
REVISION DETAILS

PAGE	TITLE	REV NO.	DATE (dd/mm/yy)
01	COVER	1	11/03/19
02	MAIN		
03	INPUT		
04	DISPLAY		
05	POWER		
06	VOLTAGE REFERENCE		
07	OSCILLATOR		
08	MISC		

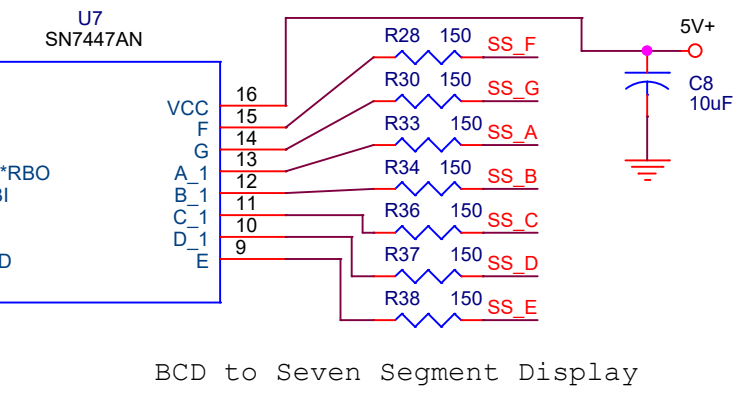
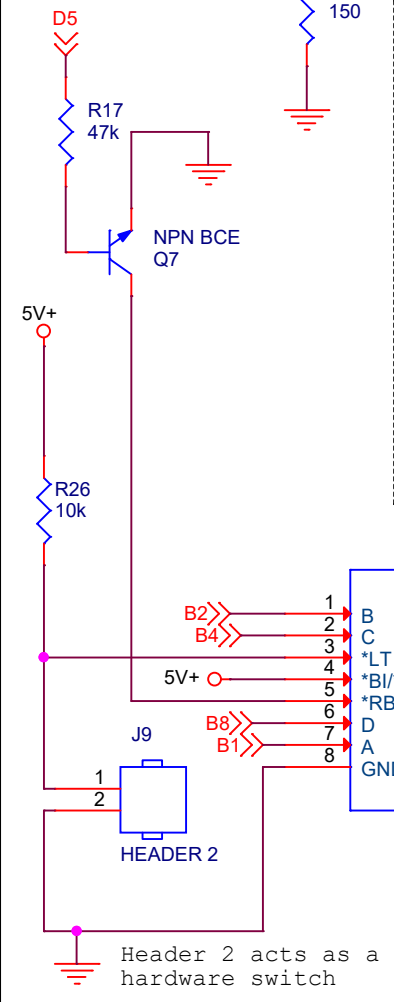
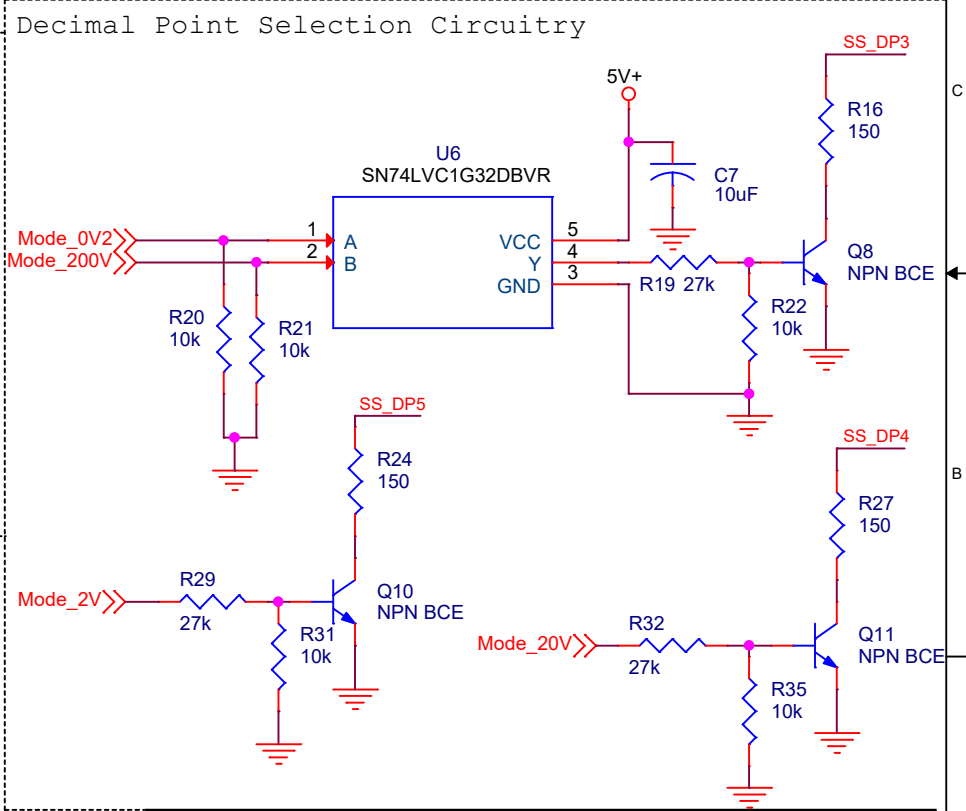
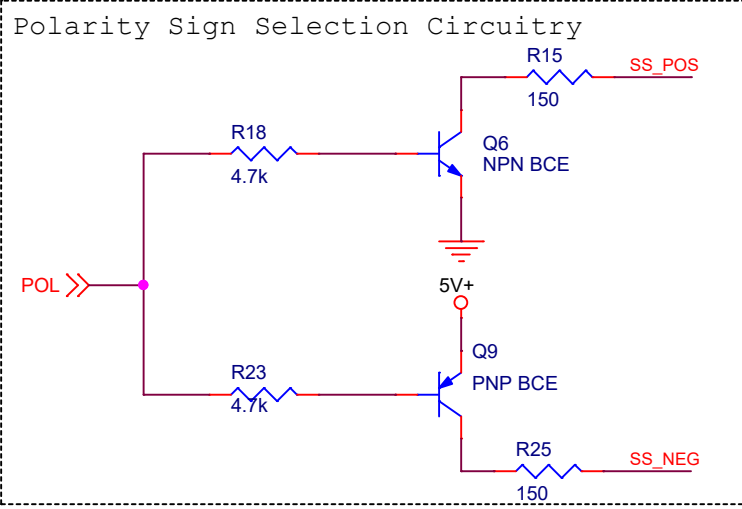
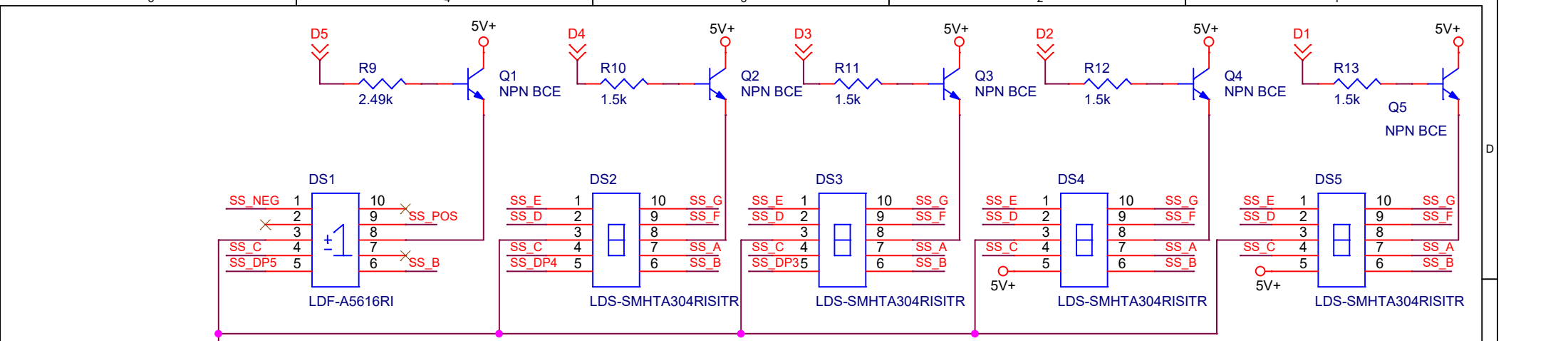
Noshewan Ahmed		
Title DVM - Cover		
Size A	Document Number 01	Rev A
Date:	Monday, March 11, 2019	Sheet 1 of 8



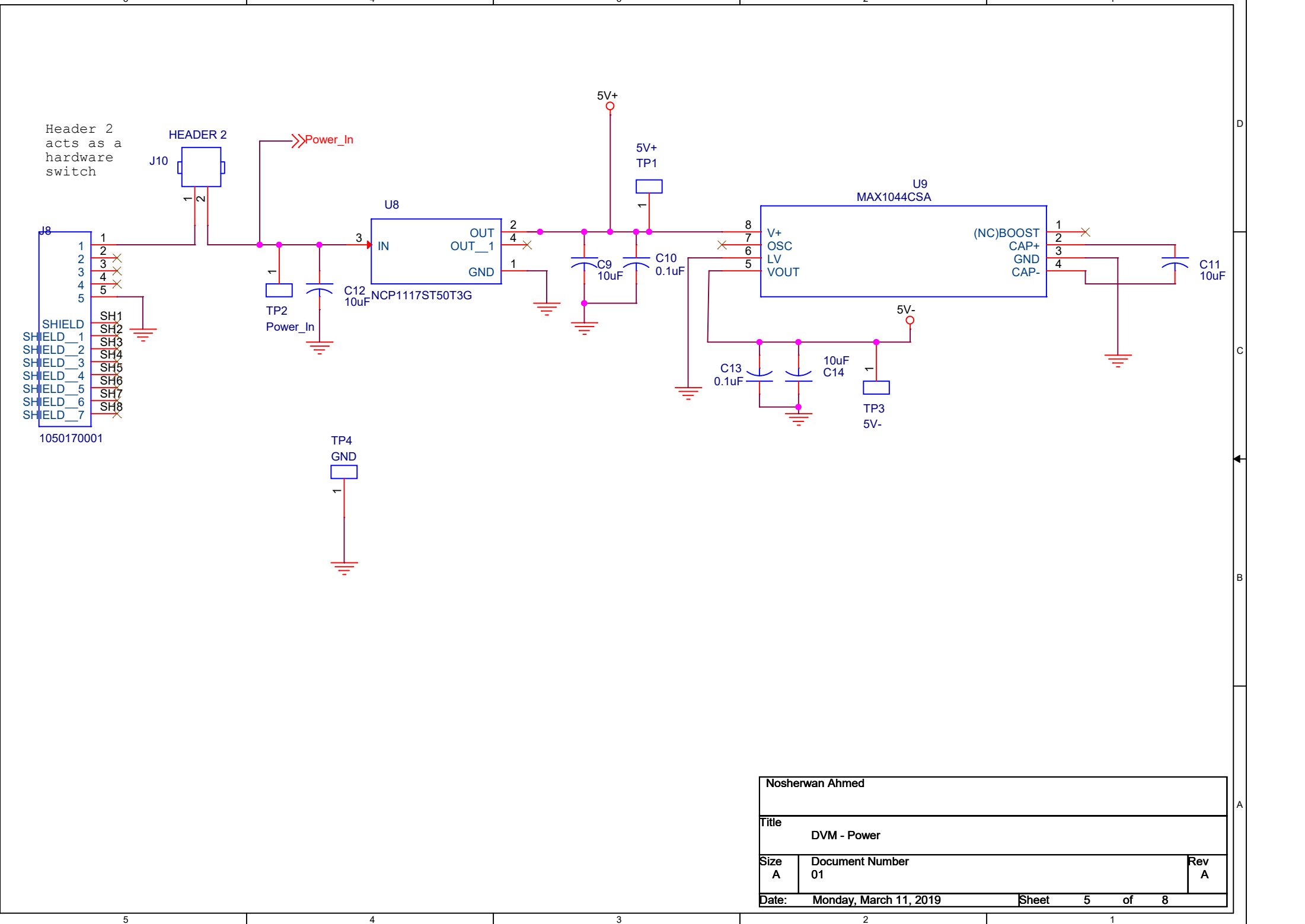
Noshewan Ahmed		
Title DVM - Main		
Size A	Document Number 01	Rev A
Date:	Monday, March 11, 2019	Sheet 2 of 8



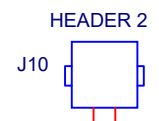
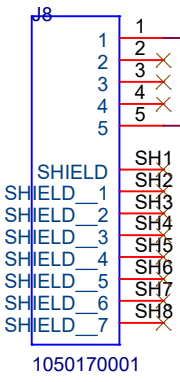
Noshewan Ahmed		
Title DVM - Input		
Size A	Document Number 01	Rev A
Date: Monday, March 11, 2019	Sheet 3	of 8



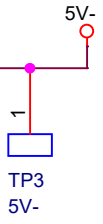
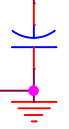
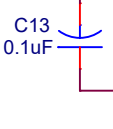
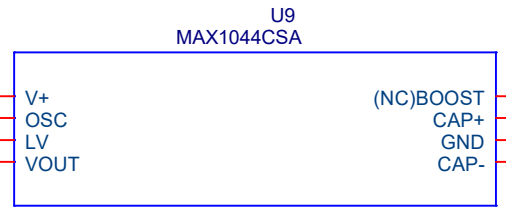
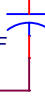
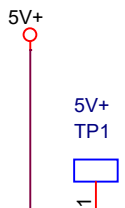
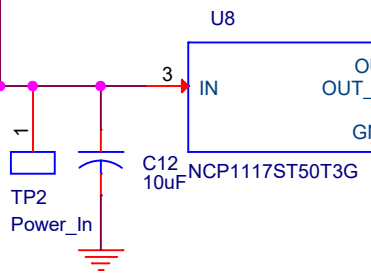
Noshewan Ahmed		
Title DVM - Display		
Size A	Document Number 01	Rev A
Date:	Monday, March 11, 2019	Sheet 4 of 8



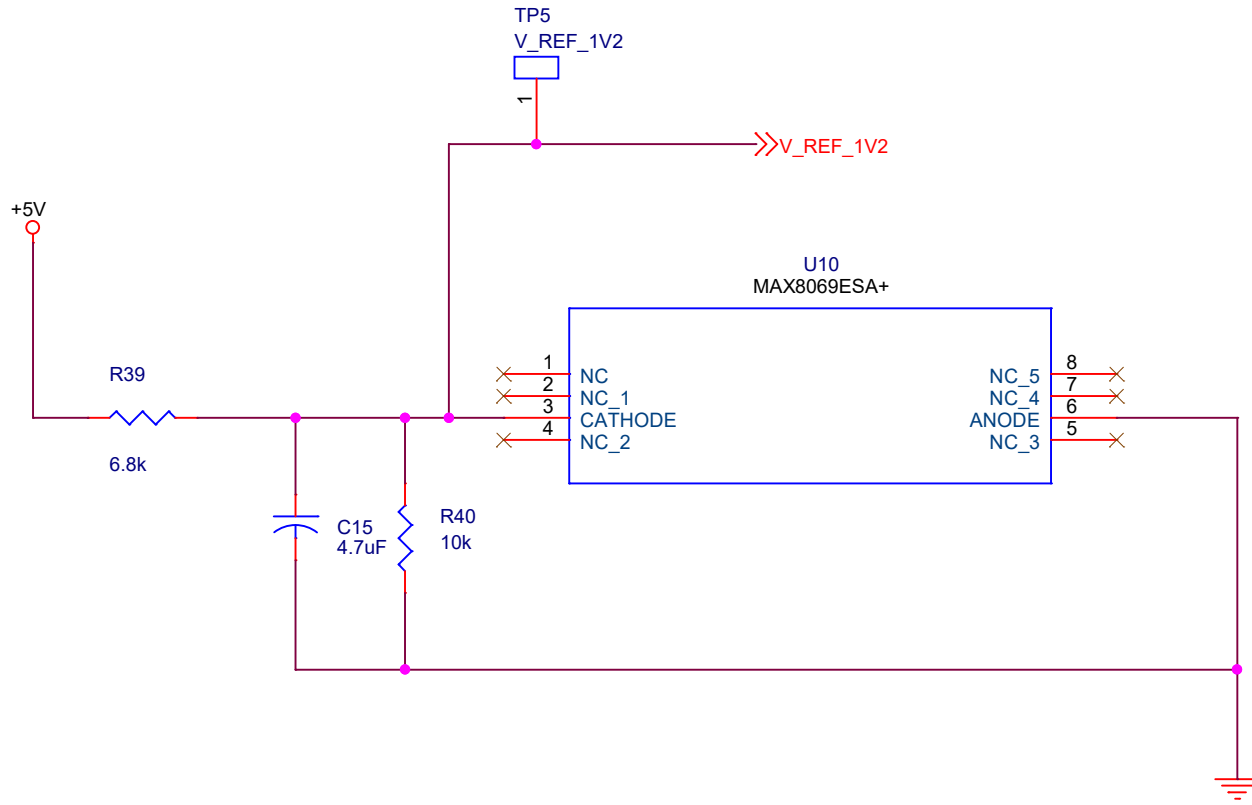
Header 2 acts as a hardware switch



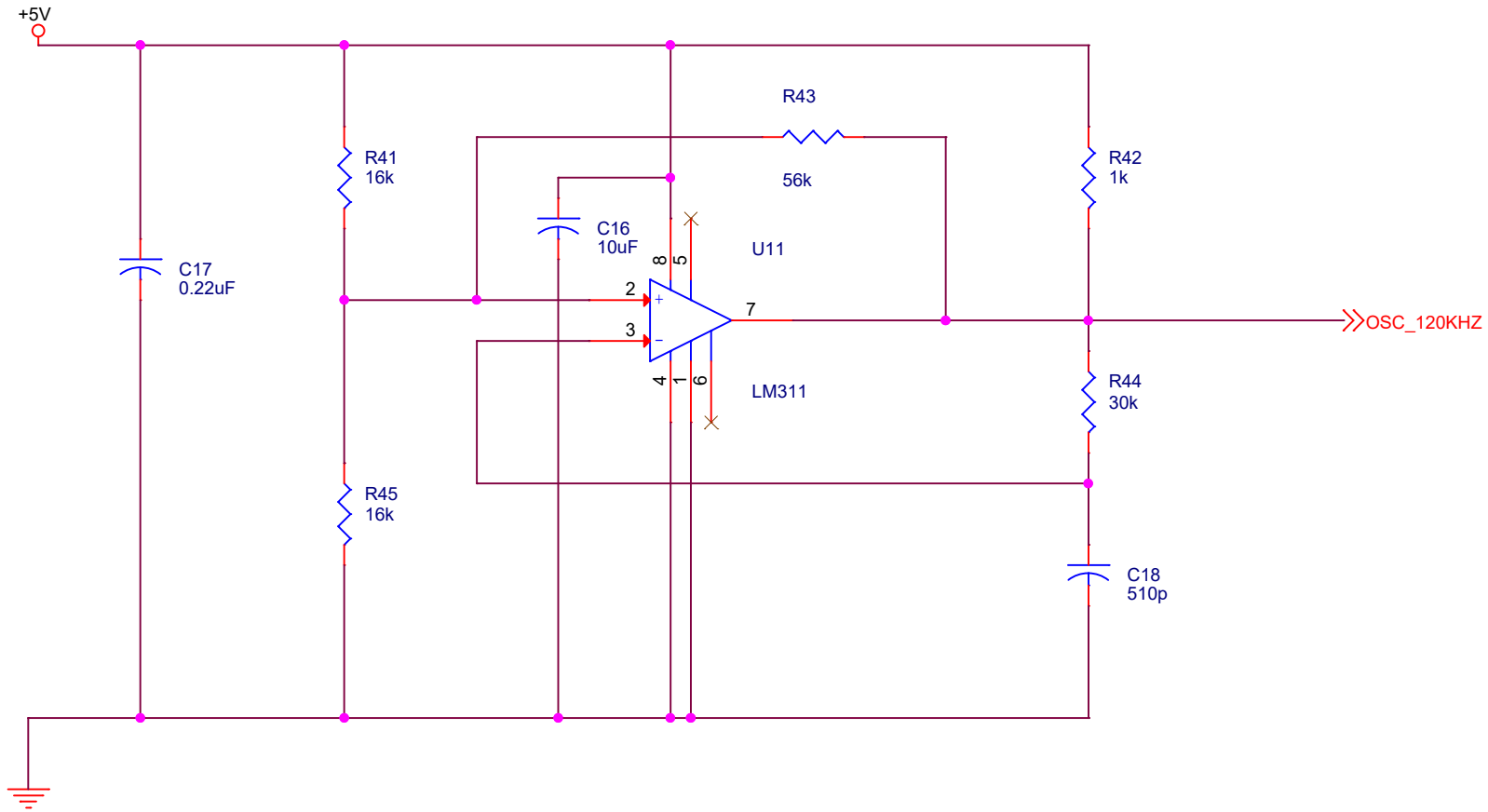
Power_In



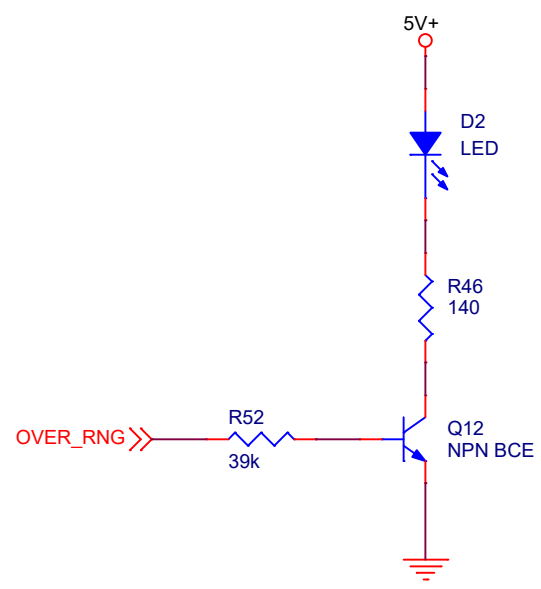
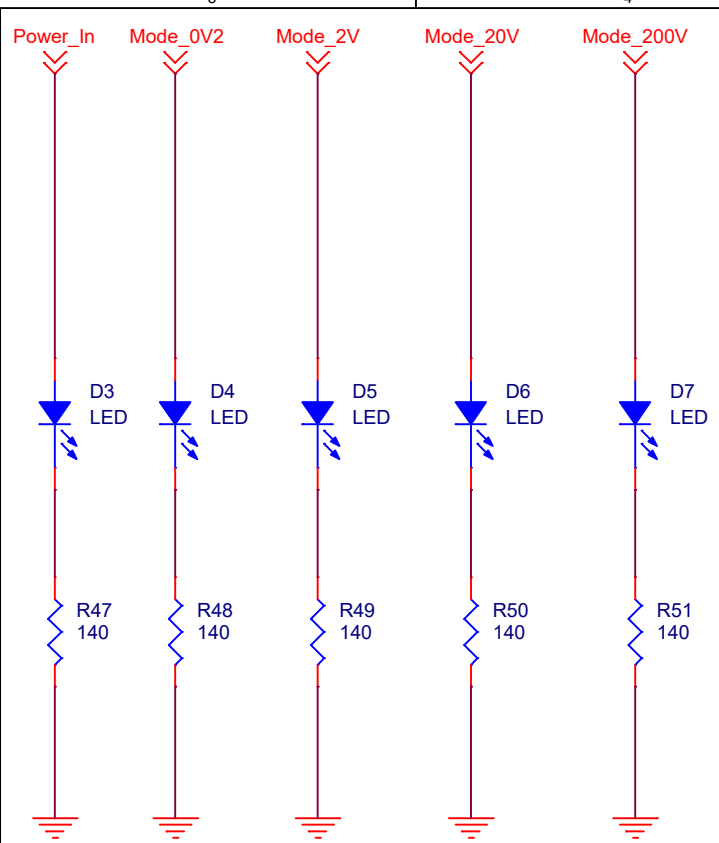
Noshewan Ahmed		
Title DVM - Power		
Size A	Document Number 01	Rev A
Date: Monday, March 11, 2019	Sheet 5	of 8



Noshewan Ahmed		
Title DVM - Voltage Reference		
Size A	Document Number 01	Rev A
Date: Monday, March 11, 2019	Sheet 6	of 8



Noshewan Ahmed		
Title DVM - Oscillator		
Size A	Document Number 01	Rev A
Date:	Monday, March 11, 2019	Sheet 7 of 8



Noshewan Ahmed		
Title DVM - Misc		
Size A	Document Number 01	Rev A
Date:	Monday, March 11, 2019	Sheet 8 of 8